

# Petro-SIM Polymers powered by Predici

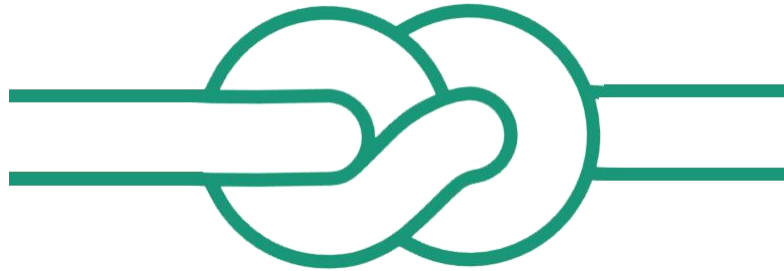
Predici has been integrated with Petro-SIM by KBC

**Petro-SIM:**

outstanding  
flowsheeting  
capabilities in  
steady state and  
dynamic models



A Yokogawa Company



**Predici:**

state-of-the-art  
software for  
polymerization  
process  
simulation

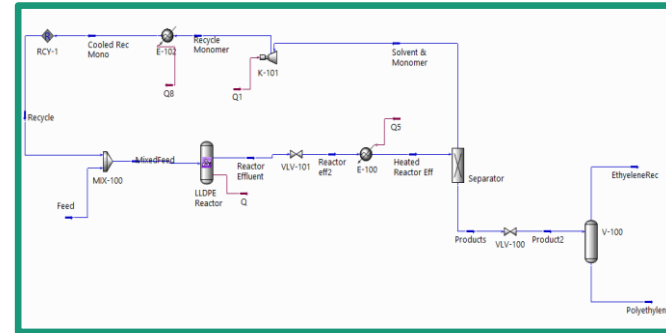


**Faster and parallel integration of polymer model development into flowsheets**

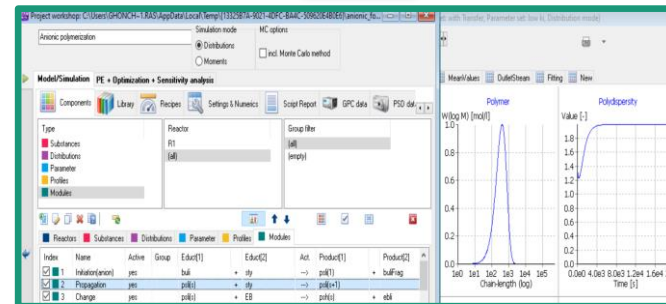


# Petro-SIM Polymers powered by Predici

- ▶ **Optimized Scale-Up:** Integrated model reduces scale-up time in polymer process plants
- ▶ **Cost Savings:** Decreased operational expenses (OPEX) by utilizing Petro-SIM model with Predici simulation
- ▶ **Predictive Insights:** Petro-SIM model and Predici simulation predict reactor outputs and product specifications
- ▶ **Performance Optimization:** Optimize unit operational performance to maximize profit margins
- ▶ **Additional features:** Real-time optimization and digital twins as part of the Petro-SIM flowsheet



Petro-SIM®



# How to contact us

## Contact us for more information!

- ▶ **Company:** Dr. M. Wulkow Computing in Technology GmbH (CiT)
- ▶ **Address:** Harry-Wilters-Ring 27, 26180 Rastede, Germany
- ▶ **Email:** [m.wulkow@cit-wulkow.de](mailto:m.wulkow@cit-wulkow.de)
- ▶ **Phone:** +49 4402 84248
- ▶ **Website:** [www.cit-wulkow.de](http://www.cit-wulkow.de)
- ▶ **LinkedIn:** [www.linkedin.com/in/michael-wulkow-0121457b](http://www.linkedin.com/in/michael-wulkow-0121457b)

